

UNDERCOUNTER DISHWASHERS

EW360

Undercounter Dishwasher



1080 Plates/hour

2160 Glasses/hour

Wash Cycles:

60 sec

120 sec

180 sec

The Eurowash EW360 multi-function, Undercounter Dishwasher, delivers outstanding results even faster, through advanced design.

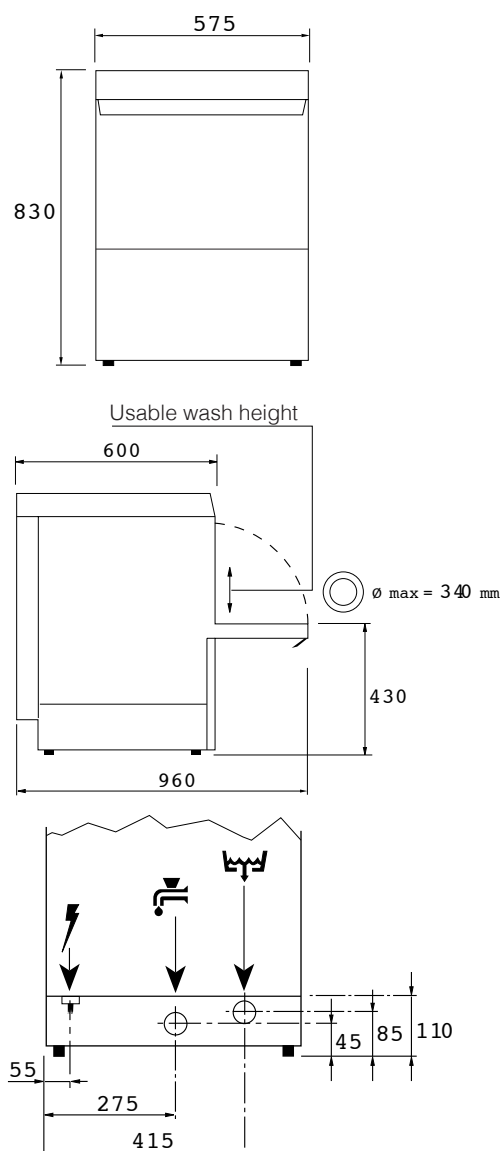
Water consumption is restricted to only 2.9 litres/cycle, regardless of the total wash time, you save water, electricity, chemicals and money! The easily accessed, soft-touch controls puts at your fingertips, the power of three unique wash cycles handles light to the heaviest of workloads.

Safety is paramount in food preparation, in the EW360, all cycles are controlled through Thermostop technology to ensure correct set temperatures are achieved.

The built-in energy-saving setting, ensures high efficiency and lower running costs .

The Eurowash EW360 features easily removable, stainless steel wash and rinse arms, to enable thorough cleaning.

The EW360 comes complete with one cup rack, one plate rack and one cutlery basket.



EUROWASH EW360

Rack Dimensions (mm)	500 x 500
Door Opening (mm)	340
Total Load (V/Hz/pH/Kw)	240/50/1 3.3Kw/15A
Double-Walled Door	YES
Water Consumption (lt/cycle)	2.9
Tank Capacity (lt)	30
Rinse Pump	OPTIONAL IN AUST, STANDARD IN NZ
Drain Pump	STANDARD
Detergent Dispenser	STANDARD
Rinse-Aid Dispenser	STANDARD
Control Panel	Electronic Soft-Touch with Digital Gauges
Self-Diagnostic System	YES

This machine must be installed in accordance with AS/NZS3500.1

Waste

EW360 comes complete with drain pump, drain hose must be lifted 750mm above machine base.

Detergent

Detergent pump and rinse aid pump are fitted, refer installation instructions.

